



Moldex3D™



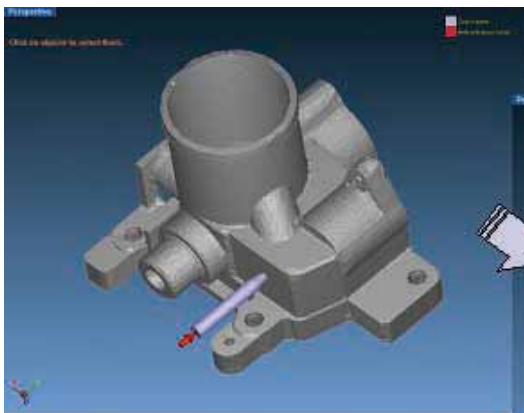
eDesign BOOT CAMP

July 16, 2008, Troy MI

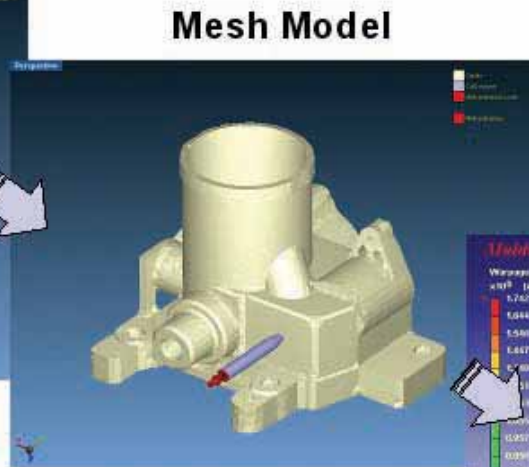
Are you still developing parts & molds by “trial and error”?

Stop wasting time, material and MONEY!!!

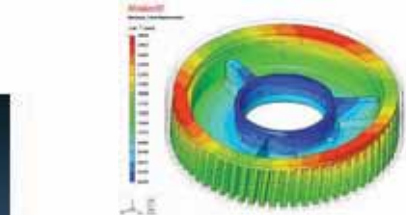
Stop Guessing and Start Simulating!™



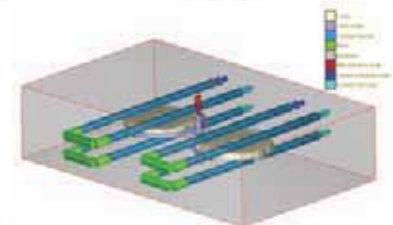
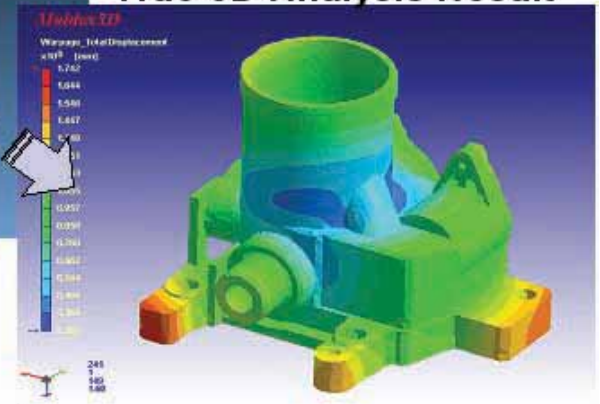
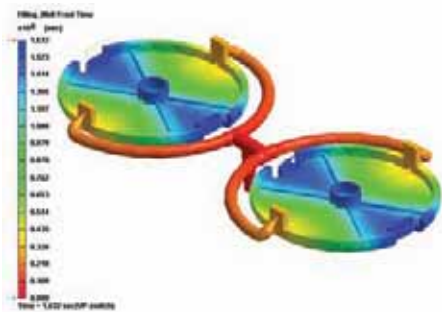
Geometry Model



Mesh Model



True-3D Analysis Result



www.compuplast.net

**A One-Stop-Shop for
Polymer Processing Simulation**



IntroTech Inc

North American Office: (905) 814 8923
email: mail@compuplast.com

Tel: (248) 269-8911
email: mail@introtechusa.com



Moldex3D™



eDesign BOOT CAMP

July 16, 2008, Troy MI

Compuplast and IntroTech are offering a special, 1 day, intensive training program on Moldex3D eDesign.

Moldex3D eDesign is a very powerful and efficient injection molding simulation tool that can perform a fully 3D analysis of complex parts relatively quickly and easily. The Moldex3D/eDesign suite of software helps you to quickly check the manufacturability of injection molded plastic part design. With intelligent eDesign meshing engine and best-in-class 3D technology, users can work directly through solid CAD models to true 3D simulations more quickly and efficiently than ever before. The easy-to-use user interface minimizes the efforts in training and learning. The interactive results display helps users to quickly check and optimize designs.

Stop Guessing and Start Simulating!™

Now, Compuplast and IntroTech are offering a special promotion that every injection molding part designer or mold shop manager will want to seriously consider.

The first Moldex3D “eDesign Boot Camp” will be offered on July 16, 2008 in Troy MI. This 1-Day, “hands-on” simulation training session has been developed to help “kick start” attendees with the ability to perform a basic simulation of the injection molding process. Participants will then be offered a special 1-month trial license of the eDesign software so that they can immediately apply what they learned back at their jobs.

The cost for this 1-day training session is US\$300 per person. This fee includes all training material, computer rental and meals for the day. Participants will also be entitled to purchase a special, 1-month trial license of the Moldex3D eDesign software for the super discounted rate of US\$500.

Who should participate:

This event is intended for those that are seriously considering introducing injection mold flow analysis into their company but would like to have more first-hand, information about the simulation process, effort required and the benefits that it provides.

Prerequisites:

Participants must have at least 3 years of computer experience on Windows XP. Some CAD experience will be beneficial but not necessary. No prior injection molding simulation experience is necessary.

Key Benefits:

Shorter mold design time, Less (re)machining time, Less polymer scrap, Less scrap metal plates, Faster cycle times, Improved part quality!

MORE PROFIT!

Visit www.compuplast.net or www.introtechusa.com for more details and registration.

Questions? Call: 905 814 8923 or 248 269 8911

Classroom space is limited to ensure maximum benefit to the participants so reserve your spot now!